

Carried to anywhere

Mobile Solar Unit

Model number

GSR-110B

NEW!

Light-weight: 3kg!



Electricity can be generated anywhere. Ready for disaster and outdoor usages

Disaster HQ



Outdoor tent



Construction



Outdoor event



※ With 2 units connected

Item	P.Consumption (W)	Usage (H)	Item	P.Consumption (W)	Usage (H)	Item	P.Consumption (W)	Usage (H)
Digital Camera	1.6	15	ModemRouter	6	4	Portable TV	5	4.8
Video Camera	4	6	Laptop PC ※	30 ~ 50	0.5	LED lamp	4	6
Transceiver	3	8	Celler Phone	2	12	Wireless Mic	0.2	120
Loud Speaker	8	3	Radio	5	4.8	Portable DVD	8	3

Carried to anywhere

Mobile Solar Unit GSR-110B

The roll-up mechanism used in the projection screen

- smooth roll-up to avoid wrinkles
- proper roller for smooth operation
- stops at any desired point
- Solid mechanism for long use



The thin and light-weight Solar Battery Sheet FWAVE

- The light reflectance is 1/100 of the crystal system not using the glass. The obstructive ruggedness on the surface is preventing unnecessary reflections. It doesn't crack in the twist and the bend and safe in an unstable installation site such as disaster scenes.
- The energy consumption required in the manufacturing being small, as it manufactures by the low-temperature process compared with a past crystal system silicon solar battery, and thus the environmental load is decreased. Moreover, the quantity of the silicon raw material consumed decreases overwhelmingly with about 1/200 of the crystals system.
- The efficiency decrease in the summer time is small and the temperature coefficient increases about 10% of the total power.



Weight: 3 kg. Carried to anywhere.

Super-low voltage flexible 16W amorphous photovoltaic generation sheet adopted.

With internal battery, possible to use with accumulated battery at night time and on rainy days.

Applications made possible with the DC12V vehicle power port.

and USB 5V jack usable for mobile phone charging.

Can be connected for improved charging time and output.



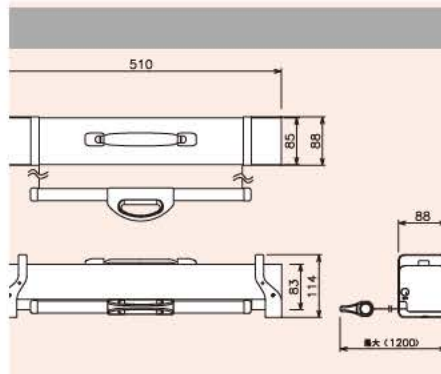
Output adaptor



Connecting cable



2 units connected



- Product: Mobile Solar Unit
- Model: GSR-110B
- Dimensions(mm): W510xD130-1200xH114
- Weight(kg): Approx. 3.0
- Output(V): DC12-14.8
- Accumulation(Ah): 2
- Full charge time(H): 5
- Accessoires: DC5V output adaptor(USB)
Connecting cable